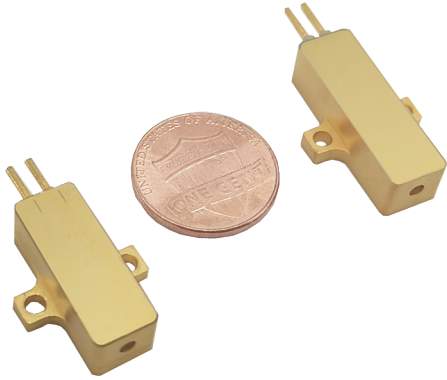


# 100~300μJ 1535nm Erbium Glass Lasers



Reallight's 1535nm Erbium glass lasers operate in the eyesafe wavelength regime, have great advantages in applications including laser ranging and LiDAR. This series of lasers feature no tail pulse, stable pulse energy and excellent beam profile. The integrated design of diode- pumped module and laser crystal brings convenience to installation and integration due to the compact size.

## Technical Specifications

Wavelength ( nm )	1535		
Pulse energy ( μJ )	100	200	300
Pulse width ( ns )	5		
Repetition rate ( Hz )	10		
Operating current ( A )	8	10	12
Beam full divergence ( typ., mrad )	10		8
Beam profile	TEM <sub>00</sub>		
Energy Stability ( RMS )	3%		
Weight ( g )	8		10
Dimensions ( L×W×H,mm )	21x8x7		25x8x7
Operation temperature ( °C )	-40~65		
Storage temperature ( °C )	-55~80		

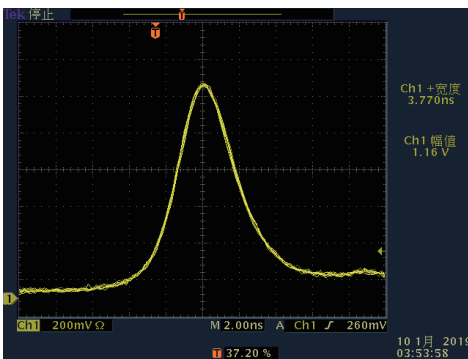
All the data in the above table are the typical values obtained from the tests at room temperature of 25 °C , and the final data is subject to the final test report.

## Applications

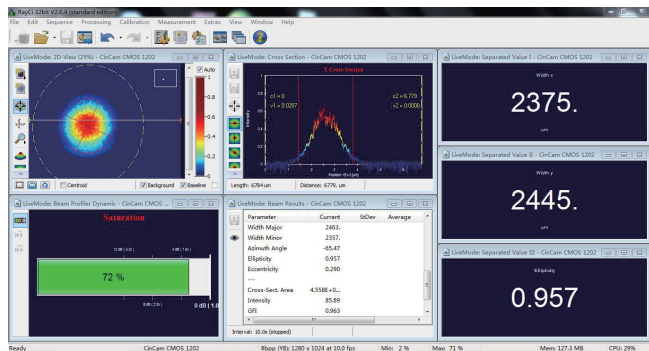
Laser rangefinder  
Meteorological radar

## Key Features

- ◆ Passively Q-Switched, Er:Glass
- ◆ Eye-safe
- ◆ Extremely light
- ◆ Super compact design
- ◆ Wide operating temperature range



Typical Pulse

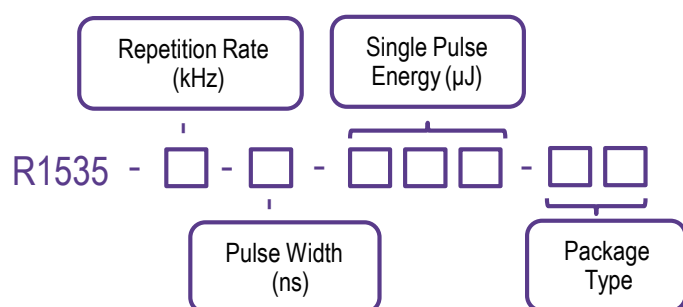


Beam Profile

## Order Information

Wavelength (nm)	Part Number	Repetition rate (Hz)	Pulse width (ns)	Pulse energy (μJ)	Dimensions (mm)
1535	R1535-0.01-5-100-F1A	10	5	100	21x8x7
	R1535-0.01-5-200-F1A	10	5	200	
	R1535-0.01-5-300-F2A	10	5	300	25x8x7

## Part Numbering Schema



## Mechanical Drawings (in mm)

