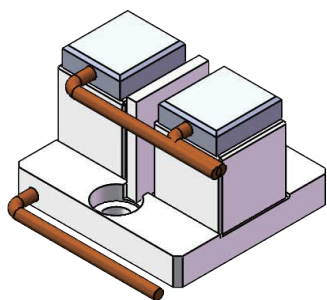


RTP Electro-Optical (EO) Cells



RTP crystal is a nonlinear optical crystal with excellent performance, which is often used in electro-optical Q-switches of high power, high repetition rate, narrow pulse width lasers. Due to its excellent optical properties, it can be used in laser ranging, laser processing, aerospace, medical equipment and scientific research.

Key Features

- ◆ Compact design
- ◆ Wide temperature stability range (-50° C to 70° C)
- ◆ High damage threshold
- ◆ Low half-wave voltage
- ◆ Non-hygroscopic

Applications

- Q-switches
- Pulse Pickers
- Phase Modulators

Technical Specifications (in mm)

Cells Number	Cells Specifications	Crystal Specifications	L	H	Hc	T	Half-wave Voltage
RLRTP3305	3×3×13	3×3×5	13	8.5	5	3.8	2400V
RLRTP4405	4×4×13	4×4×5	13	9	5	3.3	3200V
RLRTP5505	5×5×13	5×5×5	13	9.5	5	2.8	4000V
RLRTP6606	6×6×15	6×6×6	15	11	6	3.3	4800V
RLRTP7707	7×7×17	7×7×7	17	11.5	6	2.8	3900V

Mechanical Drawings (in mm)

