

NLM Series Multi-mode Narrow Linewidth Laser



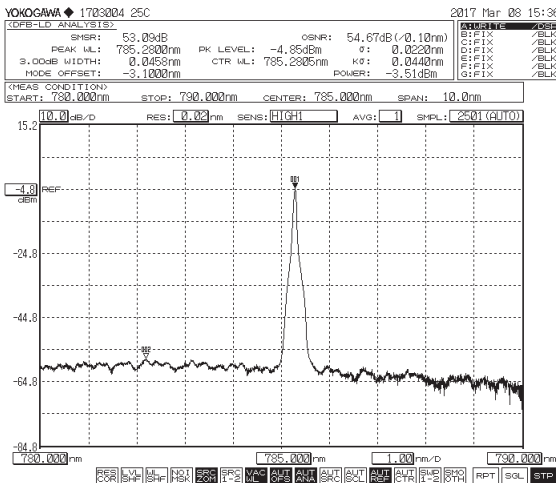
Key Features

- ◆ Linewidth < 0.1nm
- ◆ Excellent wavelength stability $\pm 7\text{pm}@4\text{h}$
- ◆ SMSR is better than 40dB
- ◆ Built-in TEC, power stability $\pm 2\%$
- ◆ Contains PC control, emergency stop button, short circuit protection functions
- ◆ Raman analysis software available

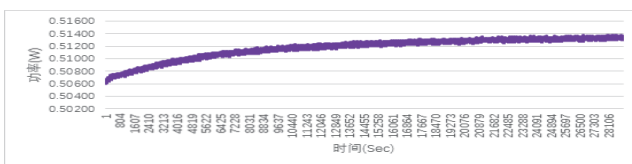
Applications

- Raman spectroscopy
- Laser-induced fluorescence
- Pumping source

Technical Specifications



785nm laser spectrum (SMSR > 40dB)



785nm power stability@4h

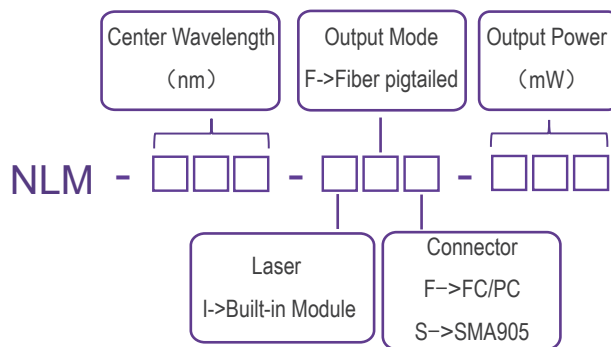
Optical Parameters						
Center Wavelength (nm)	638	785	808	830	976	1064
Output Power (mW)	500	600	600	600	800	800
Wavelength Tolerance (nm)	± 0.5					
Linewidth (nm)	<0.1	<0.1	<0.3	<0.1	<0.3	<0.1
Wavelength Stability	$\pm 7\text{pm}@4\text{h Typ.}$					
Power Stability	$\pm 2\%@4\text{h Typ.}$					
SMSR	>35		>40			
System Parameters						
Adjustability % Full Power	0~100%					
Warm up Time (min)	15					
Modulation Input	Analog signal 0~5V					
Control Interface	USB, BNC					
Connector	SMA905, FC/PC					
Output Fiber	105 μm , 0.22 NA					
Supply Voltage	+5VDC					
Power Consumption	<20W Typ.					
Storage Humidity	0~80% RH					
Storage Temperature ($^{\circ}\text{C}$)	-10~60					
Operating Temperature ($^{\circ}\text{C}$)	10~35					
Weight (kg)	1.2					
Dimensions (mm)	168 \times 88 \times 140					

All the data in the above table are the typical values obtained from the tests at room temperature of 25 $^{\circ}\text{C}$, and the final data is subject to the final test report.

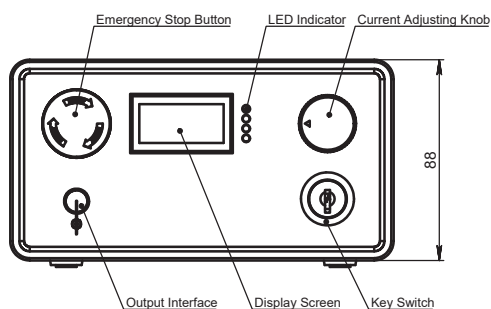
Ordering Information

Wavelength (nm)	Output Power (mW)	Part Number	Connector
638	500	NLM-638-IF(F)-500	FC/PC
	500	NLM-638-IF(S)-500	SMA905
785	600	NLM-785-IF(F)-600	FC/PC
	600	NLM-785-IF(S)-600	SMA905
808	600	NLM-808-IF(F)-600	FC/PC
	600	NLM-808-IF(S)-600	SMA905
830	600	NLM-830-IF(F)-600	FC/PC
	600	NLM-830-IF(S)-600	SMA905
976	800	NLM-976-IF(F)-800	FC/PC
	800	NLM-976-IF(S)-800	SMA905
1064	800	NLM-1064-IF(F)-800	FC/PC
	800	NLM-1064-IF(S)-800	SMA905

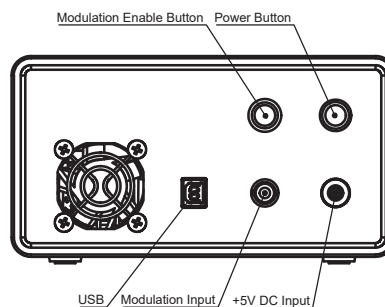
Part Numbering Schema



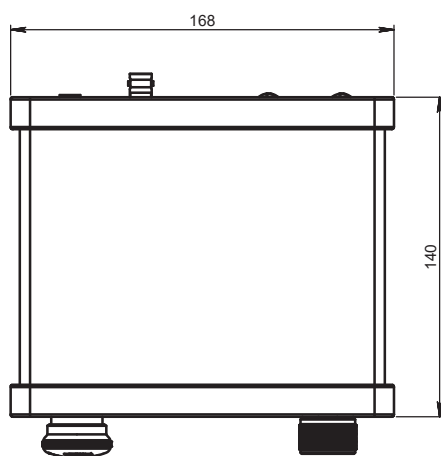
Mechanical Drawings (mm)



Front View



Back View



Top View

