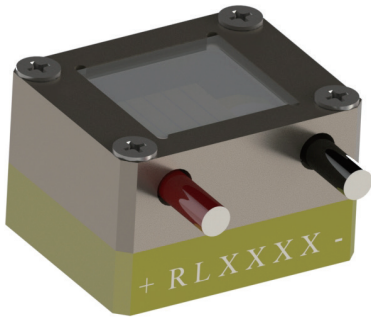


GS11 Conduction-cooled Vertical Stacked Diode Laser Array



GS11 conduction-cooled vertical stacked diode laser array is developed by RealLight independently, it realized to be used in ms-level applications from μ s-level. This laser component integrates sealed optical windows with dust proof function, which is available to monitor temperature, and can meet with the customers' applications in different environments.

Key Features

- ◆ AuSn solder for packaging
- ◆ High conversion efficiency
- ◆ High peak power
- ◆ High reliability

Applications

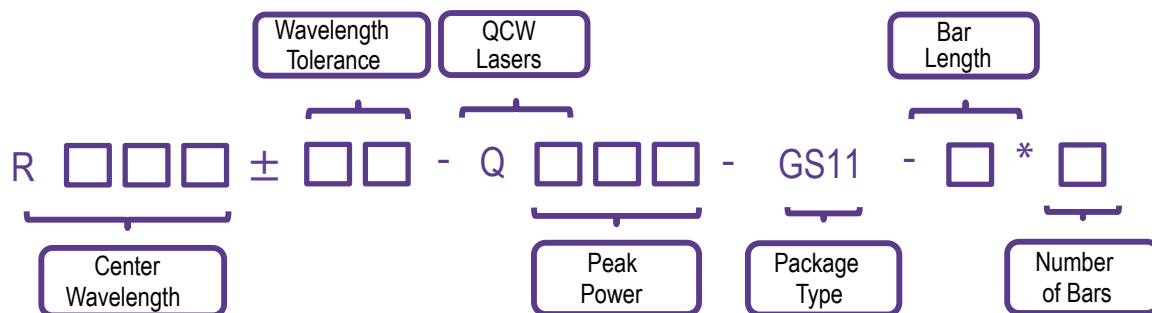
- Illumination
- Pumping source
- Scientific research

Technical Specifications

Optical Parameters	
Part Number	R808 \pm 10-Q480-GS11-10*4
Center Wavelength λ_c (nm)	808
Wavelength Tolerance $\delta\lambda_c$ (nm)	± 10
Output Power per Bar (W)	120
Number of Bars	4
Bar-to-Bar Pitch (mm)	1.65
Spectral Width (FWHM) (nm)	<5
Slope Efficiency per Bar (W/A)	>1.1
Fast Axis Divergence Angle (FWHM) ($^\circ$)	40
Slow Axis Divergence Angle (FWHM) ($^\circ$)	10
Wavelength Temperature Coefficient (nm/ $^\circ$ C)	~ 0.3
Electrical Parameters	
EO Conversion Efficiency (%)	>50
Threshold Current I_{th} (A)	<15
Operating Current I_{op} (A)	<130
Operating Voltage V_{op} of each Bar (V)	<2
Duty Cycle (%)	<2
Pulse Width (μ s)	<3000
Repetition Rate (Hz)	<100
Environment Parameters	
Operating Temperature ($^\circ$ C)	20~35
Storage Temperature ($^\circ$ C)	0~55

1. Wavelengths from 940nm to 960nm available upon request.
2. Wavelengths from 792nm to 818nm available upon request.
3. Do not operate it beyond normal operating conditions, otherwise, the service life of the device might be shortened.
4. Make sure that there is no condensation in operating or storage environment.
5. All the data in the above table are the typical values obtained from the tests at room temperature of 25 $^\circ$ C, and the final data is subject to the final test report.

Part Numbering Schema



Mechanical Drawings (in mm)

