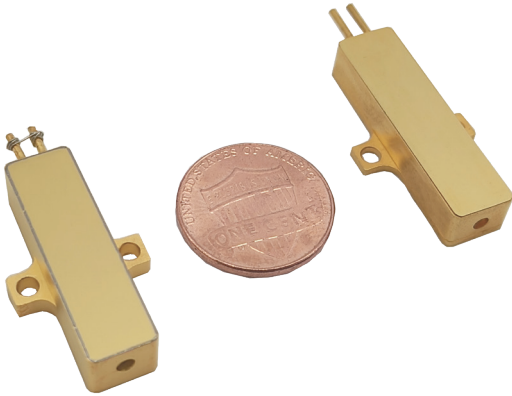


400~500μJ 1535nm Erbium Glass Lasers



RealLight's 1535nm Erbium glass lasers operate in the eyesafe wavelength regime, have great advantages in applications including laser ranging and LiDAR. This series of lasers feature no tail pulse, stable pulse energy and excellent beam profile. The integrated design of diode-pumped module and laser crystal brings convenience to installation and integration due to the compact size.

Technical Specifications

Wavelength (nm)	1535	
Pulse energy (μJ)	400	500
Pulse width (ns)	6	
Repetition rate (Hz)	10	
Operating current (A)	15	20
Beam full divergence (typ., mrad)	8	
Beam profile	TEM ₀₀	
Energy Stability (RMS)	3%	
Weight (g)	10	13
Dimensions (L×W×H, mm)	28x8x7	32x8x7
Operation temperature (°C)	-40~65	
Storage temperature (°C)	-55~80	

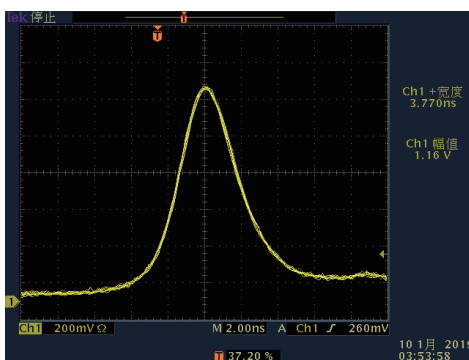
All the data in the above table are the typical values obtained from the tests at room temperature of 25 °C, and the final data is subject to the final test report.

Applications

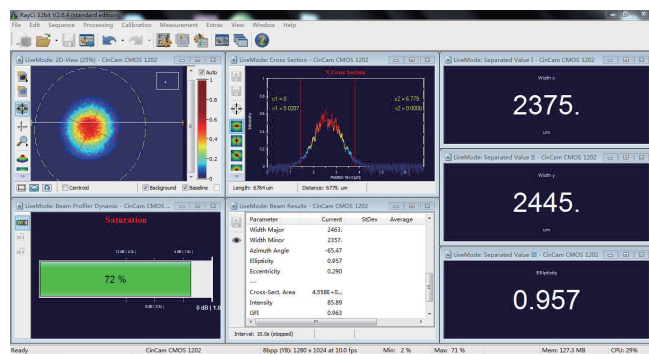
Laser rangefinder
Meteorological radar

Key Features

- ◆ Passively Q-Switched, Er:Glass
- ◆ Eye-safe
- ◆ Extremely light
- ◆ Super compact design
- ◆ Wide operating temperature range



Typical Pulse

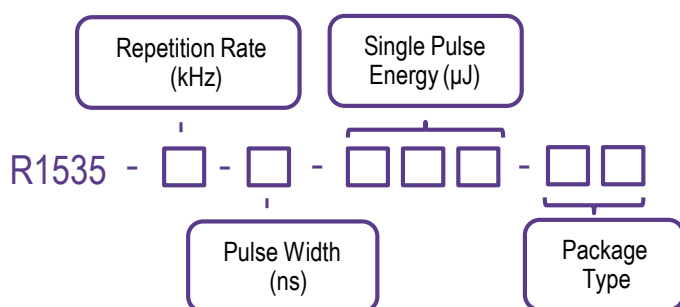


Beam Profile

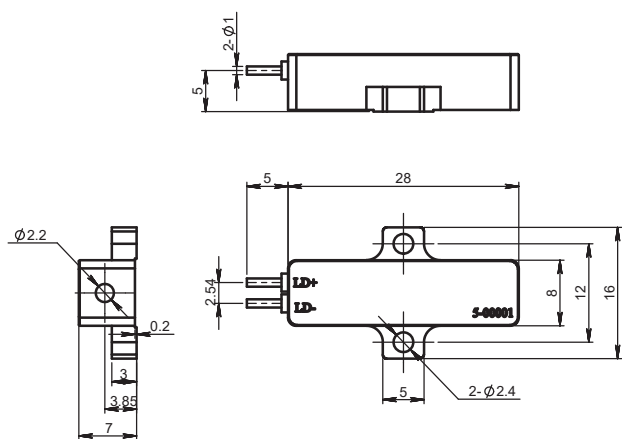
Order Information

Wavelength (nm)	Part Number	Repetition rate (Hz)	Pulse width (ns)	Pulse energy (μJ)	Dimensions (mm)
1535	R1535-0.01-6-400-F5A	10	6	400	28x8x7
	R1535-0.01-6-500-F3A	10	6	500	32x8x7

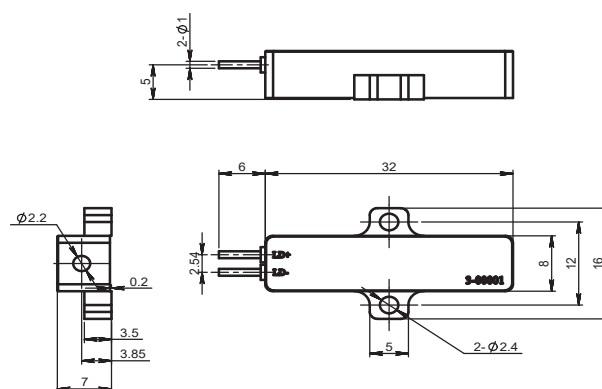
Part Numbering Schema



Mechanical Drawings (in mm)



F5A Drawing



F3A Drawing

