



02HBCK Diode Laser Components

02HBCK diode laser components are RealLight's AW series laser modules, providing single-wavelength output in fiber coupled configurations, featuring compact size, excellent beam quality, high output power and more.

Key Features

- ◆ Compact size
- ◆ High reliability
- ◆ Excellent beam quality
- ◆ Various wavelengths

Applications

- Pumping source
- Material processing
- Laser Therapy
- NightVision lighting

Technical Specifications (25°C)

Package Type		02HBCK Fiber Pigtailed		
Center Wavelength (nm)		808	940/980	1064
Optical	CW Output Power / P _{op} (W)	8	10	10
	Wavelength Tolerance (nm)	±3,±10		
	Spectral Width / Δλ (nm)	<4		
	Temperature Drift of Wavelength / Δλ/ΔT (nm/°C)	0.3		
	Optional Feedback Protection Function	>40dB@1030-1070nm		
	Fiber Core/Cladding Diameter D _{core} (μm)	105/125,200/220		
	Fiber Length / L (cm)	100±10 (customizable)		
	Numerical Aperture / NA	0.22		
	Connector	FC/PC,SMA905, bare ferrule		
Electrical	Threshold Current / I _{th} (A)	1.5	1.2	1.3
	Operating Current / I _{op} (A)	11	13	13.5
	Operating Voltage / V _{op} (V)	2.2	1.9	1.9
	Slope Efficiency / η _{es} (W/A)	0.8	0.9	0.8

1. All the data in the above table are the typical values obtained from the tests at room temperature of 25°C, and the final data is subject to the final test report.

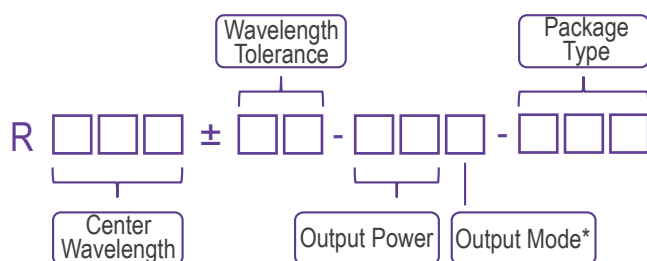
Other Parameters

Parameter	Operating Temperature /°C	Operating Relative Humidity /%	Storage Temperature /°C	Storage Relative Humidity /%	Lead Soldering Temperature (max/°C)
Min	10	-	-20	-	-
Max	30	75	70	90	250(10Sec.)

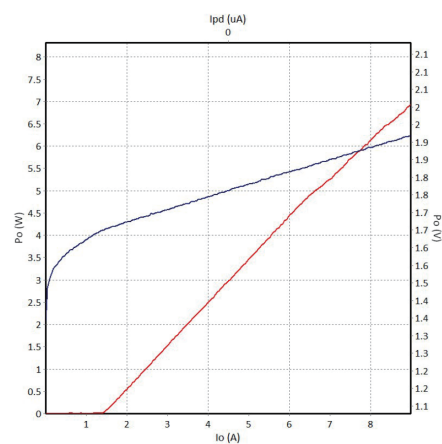
Order Information

Package	Wavelength (nm)	Output Power (W)	Part Number
02HBCK Fiber Pigtailed	808	8	R808±3-8WF-02HBCK
	9xx (940/980)	10	R9xx±10-10WF-02HBCK
	1064	10	R1064±10-10WF-02HBCK

Part Numbering Schema

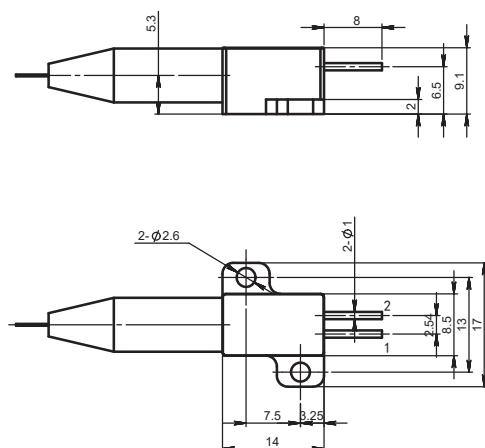


*Output Mode: F - Fiber Pigtailed

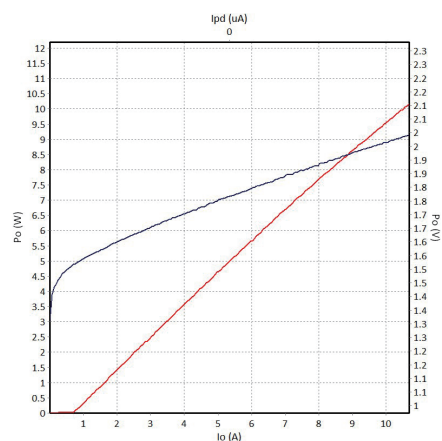


808nm P-I-V Graph

Mechanical Drawings (in mm)



Fiber Pigtailed



940nm P-I-V Graph

Pin	Function
1	Laser (+)
2	Laser (-)

