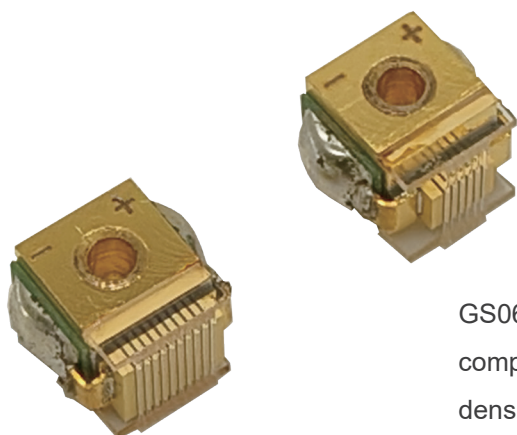


GS06 Conduction-cooled Diode Laser Array



GS06 conduction-cooled diode laser array is Reallight's self-developed component in μ s-level applications, featuring compact design, high power density and small emitting size.

Key Features

- ◆ AuSn solder for packaging
- ◆ Compact design
- ◆ High peak power density
- ◆ High reliability

Applications

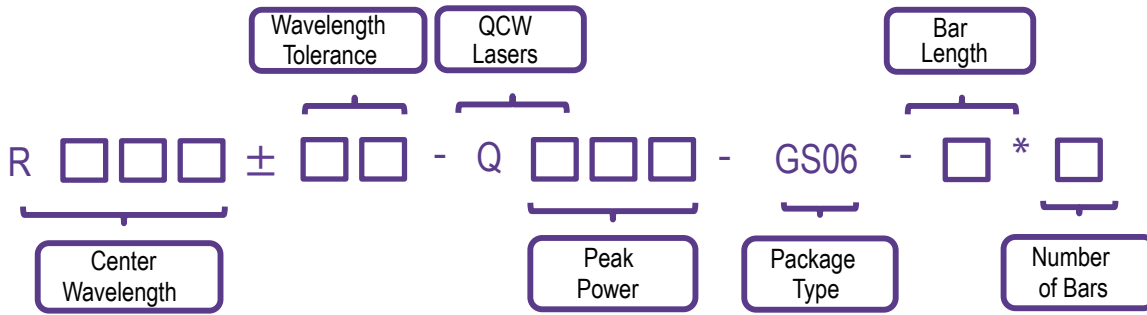
- Pumping source
- Scientific research

Technical Specifications

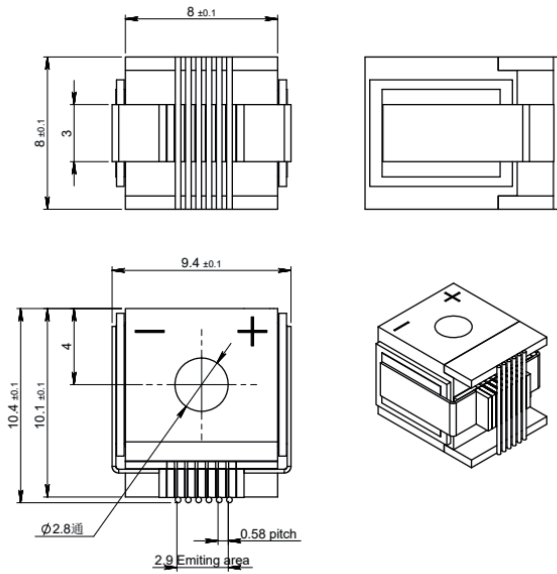
Optical Parameters		
Part Number	R808±5-Q900-GS06-3*6-001	R808±5-Q1800-GS06-5*9-001
Center Wavelength λ_c (nm)	808	
Wavelength Tolerance $\Delta\lambda_c$ (nm)	±5	
Output Power per Bar (W)	150	200
Number of Bars	6	9
Bar-to-Bar Pitch (mm)	~0.6	
Spectral Width (FWHM) (nm)	<5	
Slope Efficiency per Bar (W/A)	>1.0	
Fast Axis Divergence Angle (FWHM) (°)	8	
Slow Axis Divergence Angle (FWHM) (°)	12	
Wavelength Temperature Coefficient (nm/°C)	~0.3	
Electrical Parameters		
EO Conversion Efficiency (%)	>48	
Threshold Current I_{th} (A)	<27	<27
Operating Current I_{op} (A)	<170	<170
Operating Voltage V_{op} (V)	<2	
Duty Cycle (%)	<0.8	
Pulse Width (μ s)	<300	
Repetition Rate (Hz)	<30	
Environment Parameters		
Operating Temperature (°C)	0~45	
Storage Temperature (°C)	0~55	

- 1.For different specifications, please contact sales manager.
- 2.Do not operate it beyond normal operating conditions, otherwise, the service life of the device might be shortened.
- 3.Operating and storage environment must be free of dew.
- 4.All above parameters are measured under QCW mode.

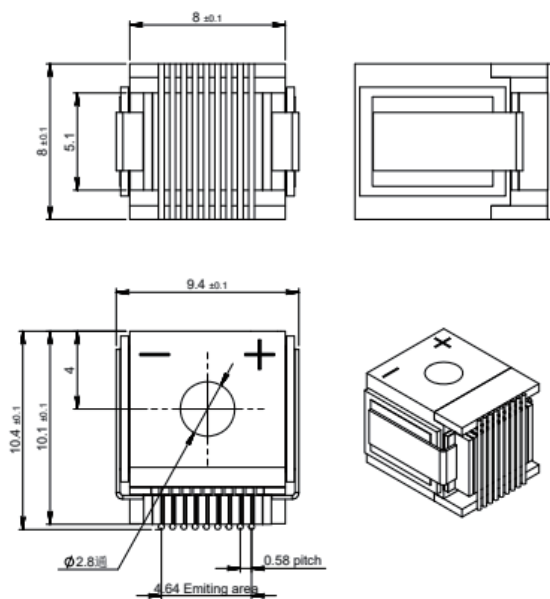
Part Numbering Schema



Mechanical Drawings (in mm)



R808±5-Q900-GS06-3*6



R808±5-Q1800-GS06-5*9

