

# 06BULT/08BULT Diode Laser Components



06BULT/08BULT diode laser components are RealLight's AW series multi-function laser modules, available in fiber detachable configuration with single emitter. Equipped with aiming beam, fiber detector, photodiode and thermistor, these lasers feature easy maintenance and high power stability.

## Key Features

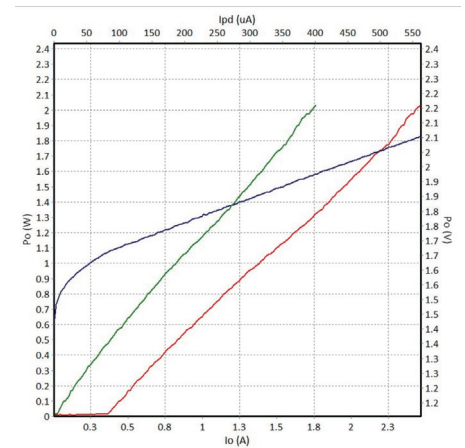
- ◆ Compact size
- ◆ High reliability
- ◆ Superior power stability
- ◆ Excellent beam quality
- ◆ Various wavelengths

## Applications

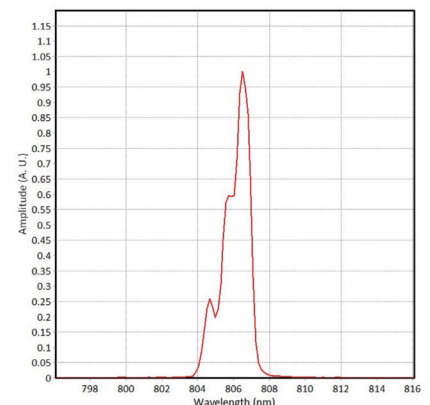
- Medical application
- Material processing

## Technical Specifications (25°C)

Package Type		06BULT/08BULT	
Center Wavelength (nm)		808	980
Optical	CW Output Power / Pop (W)	2	3
	Wavelength Tolerance (nm)	±10	
	Spectral Width / $\Delta\lambda$ (nm)	< 6	
	Temperature Drift of Wavelength / $\Delta N\Delta T$ (nm/°C)	0.3	
Aiming Beam	Output Power / Pa (mW)	2	
	Wavelength / $\lambda_a$ (nm)	650±10	
	Voltage / Va (V)	2.2	
Electrical	Threshold Current / Ith (A)	0.4	0.6
	Operating Current / Iop (A)	2.4	4
	Operating Voltage / Vop (V)	2.1	2.2
	Slope Efficiency / $\eta_{es}$ (W/A)	1	0.9
	Thermistor / Rt (kΩ/β (25°C))	10±5%/3450	
Fiber	Fiber Core Diameter / dcore (μm)	200	
	Fiber Cladding Diameter / Dclad (μm)	220	
	Fiber Coating Diameter / Dbuffer (μm)	400	
	Numerical Aperture / NA	0.22	
	Connector	SMA905	



808nm P-I-V Graph



808nm Spectrum

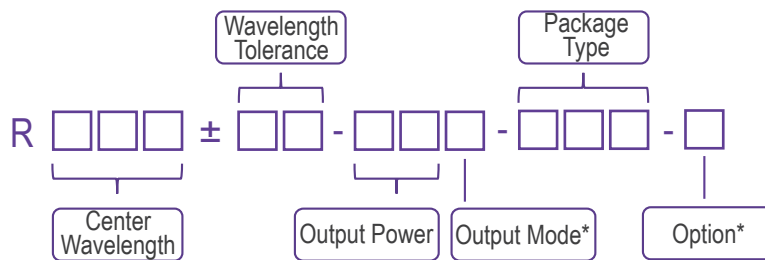
## Other Parameters

Parameter	Operating Temperature /°C	Operating Relative Humidity /%	Storage Temperature /°C	Storage Relative Humidity /%	Lead Soldering Temperature (max/°C)
Min	10	-	-20	-	-
Max	30	75	70	90	250(10Sec.)

## Order Information

Package	Wavelength (nm)	Output Power (W)	Part Number
06BULT	808	2	R808±10-2WD-06BULT-P
	980	3	R980±10-5WD-06BULT-P
08BULT	808	2	R808±10-2WD-08BULT-PFS
	980	3	R980±10-5WD-08BULT-PFS

## Part Numbering Schema

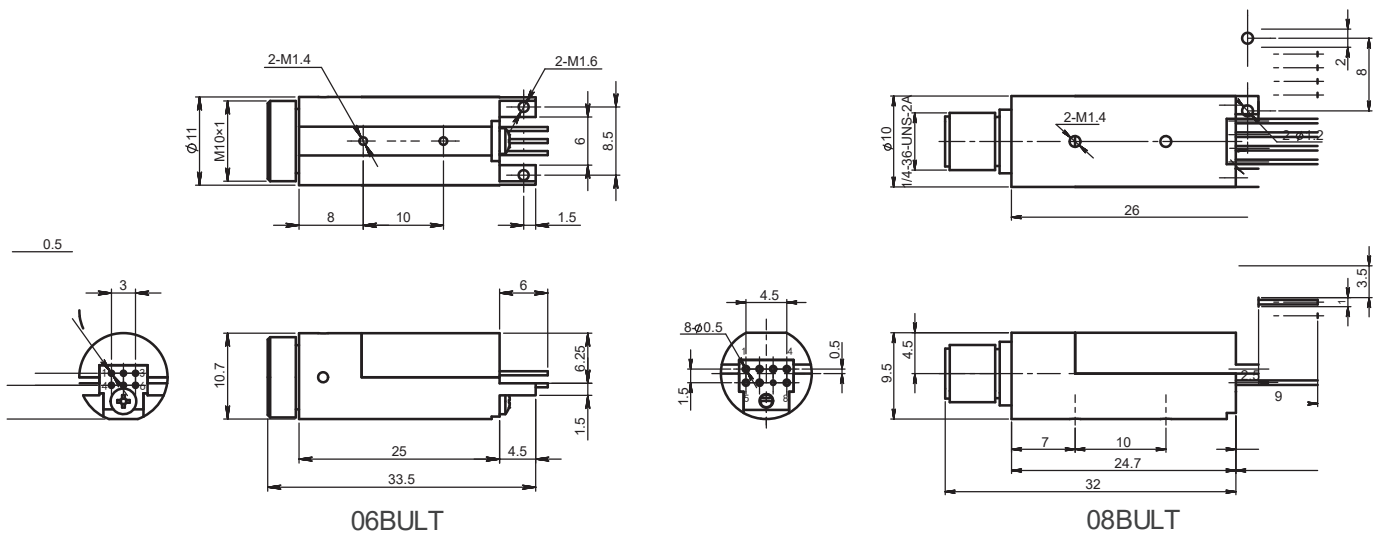


\*Output Mode: D - Fiber Detachable

\*Option: P - Pilot Light

FS - Fiber Detector

## Mechanical Drawings (in mm)



Pin	Function	Pin	Function
1	Laser (-)	4	Laser (+)
2	Aiming Beam(-)	5	Thermistor
3	Aiming Beam(+)	6	Thermistor

Pin	Function	Pin	Function
1	FCD PD(P)	5	Thermistor
2	Thermistor	6	Laser (+)
3	Aiming Beam(-)	7	FCD PD(N)
4	Aiming Beam(+)	8	Laser (-)

