

# MCA Series

## 1.5ns Microchip Laser



MCA series microchip lasers are Reallight's self-developed, passively Q-switched diode-pumped solid-state lasers, featuring stable single pulse energy, excellent beam quality and high reliability. The integrated design of diode-pumped module and laser crystal brings convenience to installation and integration due to the compact size. MCA series provides various wavelengths include 1064nm, 532nm, 355nm and 266nm, and supports internal and external triggering. The internal hermetic module of the laser head is available to customers for tailor-made development.

### Applications

LIDAR  
 Biomedicine  
 Laser ranging  
 Optical metrology  
 Atmospheric monitoring  
 3D scanning and imaging  
 Pump source for optical parametric oscillators  
 Laser ionization mass spectroscopy (LIMS)  
 Laser-induced breakdown spectroscopy (LIBS)  
 Laser-induced fluorescence (LIF)  
 Laser-induced plasma spectroscopy (LIPS)  
 Laser-based ultrasound detection

### Key Features

- ◆ Pulse width down to 1.2ns
- ◆ Single pulse energy up to 120μJ
- ◆ Repetition rate up to 20kHz
- ◆ Spatial mode TEM<sub>00</sub>
- ◆ Sealed package, high reliability

### Technical Specifications

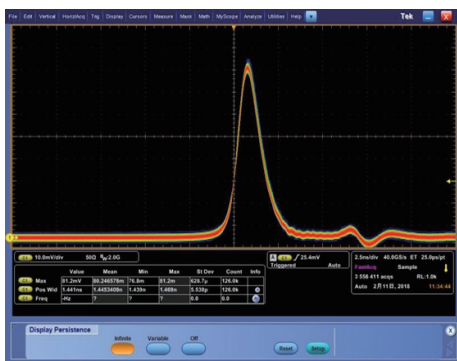
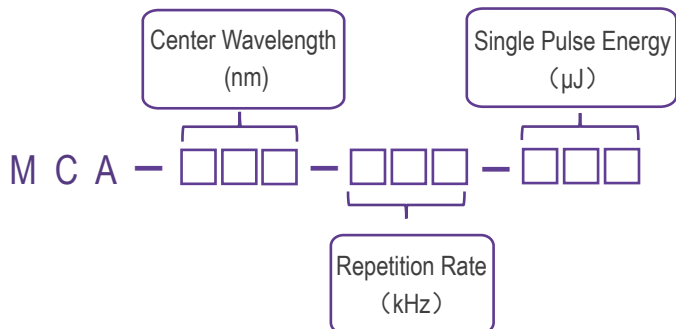
Optical Parameters																
Wavelength (nm)	1064				532				355				266			
Repetition rate (kHz)	1	5	10	20	1	5	10	20	1*	5*	10*	20*	1*	5*	10*	20*
Average power (mW)	120	300	400	400	60	150	150	200	30	50	50	60	15	40	30	40
Pulse energy (μJ)	120	60	40	20	60	30	15	10	30	10	5	3	15	8	3	2
Pulse width (ps)	2000	1500			1500	1200			1500	1200			1500	1200		
Power stability (8h)	±3%															
Beam profile	TEM <sub>00</sub>															
Beam full divergence (typ., mrad)	Horizontal @1/e <sup>2</sup>		8		6		5		5		5		5		5	
	Vertical @1/e <sup>2</sup>		8		6		5		5		5		5		5	
Polarization ratio	>100:1															
System Parameters																
Supply power voltage	100-240 VAC, 50/60 Hz															
Control interface	RS232, USB															
Power consumption (W)	≤35															
Power dimensions (W×H×L,mm)	168×88×140															
Laser dimensions (W×H×L,mm)	45×30×120															
Operation temperature (°C)	15-35															
Storage temperature (°C)	0-60															

- \*Laser head features side laser outlet, please see mechanical drawings for more details.
- As products are constantly being updated, the right of final interpretation of technical specifications or illustrations in datasheet belongs to Reallight.

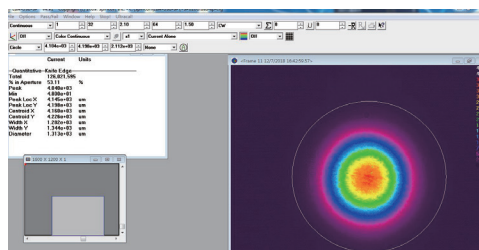
## Order Information

Wavelength (nm)	Part Number	Repetition rate (kHz)	Pulse energy (μJ)
1064	MCA-1064-1-120	1	120
	MCA-1064-5-060	5	60
	MCA-1064-10-040	10	40
	MCA-1064-20-020	20	20
532	MCA-532-1-060	1	60
	MCA-532-5-030	5	30
	MCA-532-10-015	10	15
355	MCA-355-1-030	1	30
	MCA-355-5-010	5	10
	MCA-355-10-005	10	5
	MCA-355-20-003	20	3
266	MCA-266-1-015	1	15
	MCA-266-5-008	5	8
	MCA-266-10-003	10	3
	MCA-266-20-002	20	2

## Part Numbering Schema

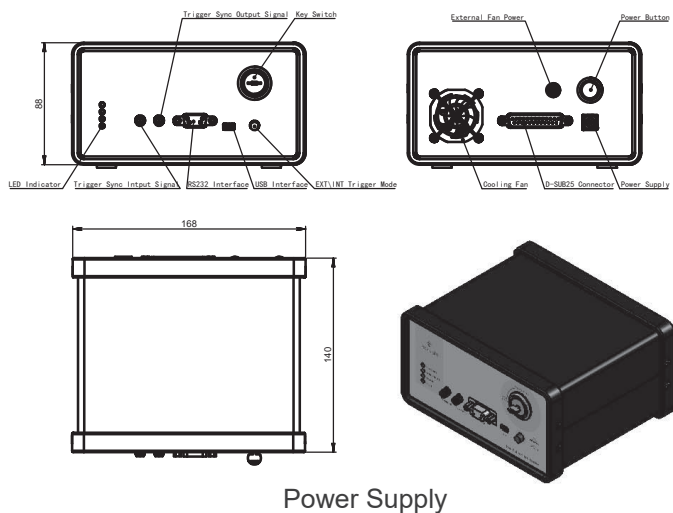


Typical Pulse

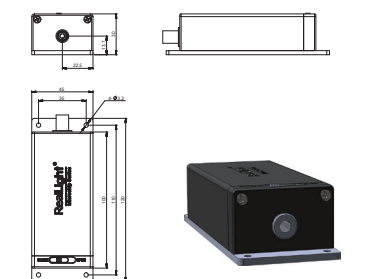


Beam Profile

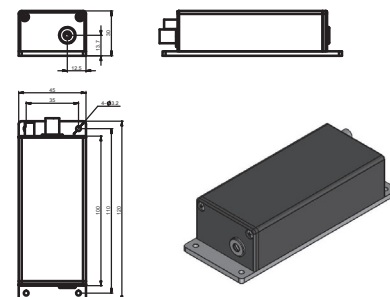
## Mechanical Drawings (in mm)



Power Supply



Laser Head (middle laser outlet)



Laser Head (side laser outlet)

