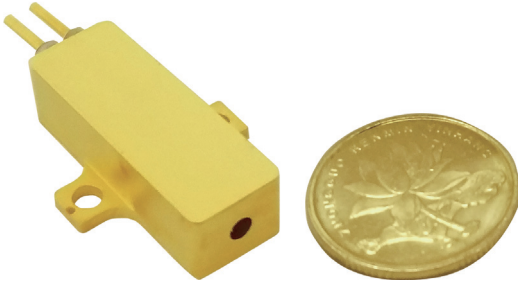


# High Repetition Rate 1535nm Microchip Laser Module



## Key Features

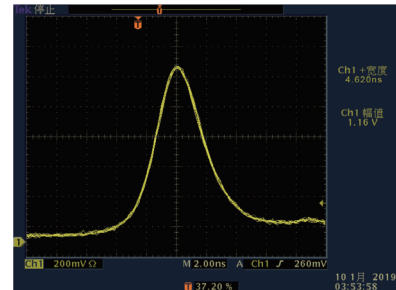
- ◆ Passively Q-Switched, Er:Glass
- ◆ Eye-safe
- ◆ Extremely light (about 10g)
- ◆ Wide operating temperature range

## Applications

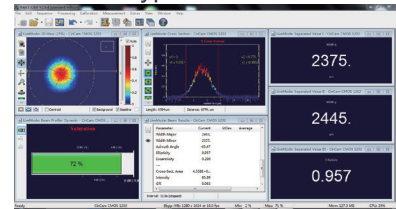
- Obstacle avoidance radar
- Meteorological radar
- Laser range finder

## Technical Specifications

Wavelength ( nm )	1535			
Pulse energy ( $\mu$ J )	40	20	10	5
Repetition rate ( kHz )	1	2.5	5	10
Pulse width ( ns )	$\leq 5$	$\leq 6$	$\leq 8$	$\leq 10$
Operating current ( A )	5			
Operating voltage ( V )	2			
Beam diameter ( mm )	0.3			
Beam full divergence ( typ., mrad )	$\leq 16$	$\leq 17$	$\leq 18$	$\leq 20$
Beam pointing	$< 0.2^\circ$			
Beam profile	TEM <sub>00</sub>			
Weight ( g )	$\leq 10$			
Dimensions ( W×H×L, mm )	21x8x7			
Operation temperature ( $^\circ$ C )	-40~65			
Storage temperature ( $^\circ$ C )	-55~80			



Typical Pulse

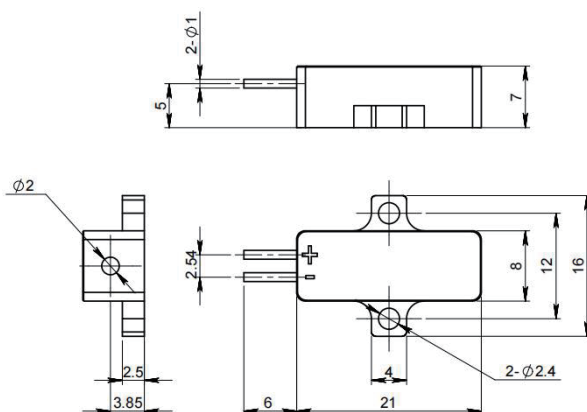


Beam Profile

## Order Information

Wavelength ( nm )	Part Number	Repetition rate ( kHz )	Pulse width ( ns )	Pulse energy ( $\mu$ J )	Dimensions ( mm )
1535	R1535-1-5-40-F1A	1	5	40	21x8x7
	R1535-2.5-6-20-F1A	2.5	6	20	21x8x7
	R1535-5-8-10-F1A	5	8	10	21x8x7
	R1535-10-10-5-F1A	10	10	5	21x8x7

## Mechanical Drawings (in mm)



Pin	Function
1	Laser (+)
2	Laser (-)

Pin Descriptions