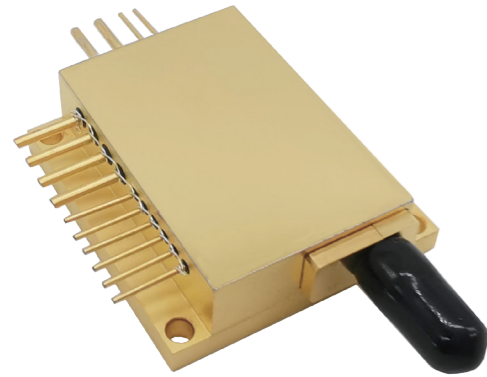


# R3D Diode Laser Components



## Applications

- Medical use
- Material processing

## Technical Specifications (25°C)

Package Type		R3D		
Center Wavelength (nm)		808	9XX	1064
Optical	CW Output Power / Pop (W)	30	45	35
	Wavelength Tolerance (nm)	±10		
	Spectral Width / Δλ (nm)	<6		
	Temperature Drift of Wavelength / ΔNΔT (nm/°C)	0.3		
Aiming Beam	Output Power / Pa (mW)	2		
	Wavelength / λa(nm)	650±10		
	Voltage / Va (V)	2.2, 5.0		
Electrical	Threshold Current / Ith (A)	2	2	2
	Operating Current / Iop (A)	12	18	18
	Operating Voltage / Vop (V)	6.2	6	6
	Slope Efficiency / ηes (W/A)	3	2.8	1.8
	PD Parameter / Ipd (μA)	<2000		
	Thermistor / Rt (kΩ/β (25°C))	10±1%/3450		
Fiber	Fiber Core Diameter / dcore (μm)	400		
	Fiber Cladding Diameter / Dclad (μm)	440		
	Fiber Coating Diameter / Dbuffer (μm)	720		
	Numerical Aperture / NA	0.22		
	Connector	SMA905		

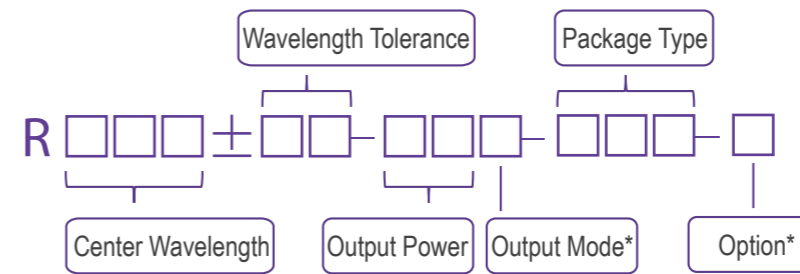
## Other Parameters

Parameter	Operating Temperature /°C	Operating Relative Humidity /%	Storage Temperature /°C	Storage Relative Humidity /%	Lead Soldering Temperature (max/°C)
Min	10	-	-20	-	-
Max	30	75	70	90	250(10Sec.)

## Order Information

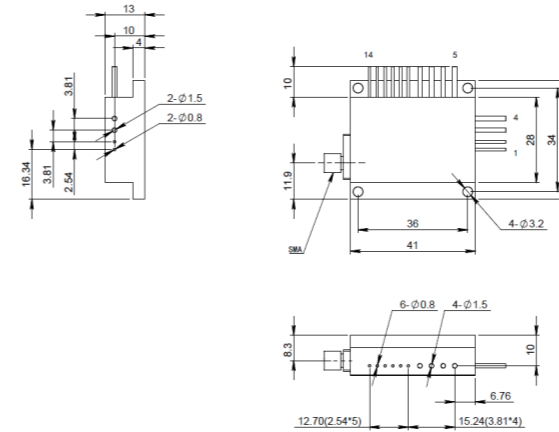
Package	Wavelength (nm)	Output Power (W)	Part Number
R3D	808	30	R808±10-30WD-R3D-PFS
	9XX	45	R9XX±10-45WD-R3D-PFS
	1064	35	R1064±10-35WD-R3D-PFS

## Part Numbering Schema



- \*Output Mode: D - Fiber Detachable
- \*Option: P - Pilot Light
- FS - Fiber Detector

## Mechanical Drawings (in mm)



Pin	Function	Pin	Function
1	Thermistor	9	Aiming Beam LD(-) [GND]
2	Thermistor	10	Aiming Beam LD(+); [DC 5V];
3	980nm LD (+)	11	PD(N)
4	980nm LD (-)	12	Fiber Detector PD (P)
5	-	13	Fiber Detector LED (+) Fiber Detector PD (N)
6	-	14	Fiber Detector LED (-)
7	-	15	
8	-	16	