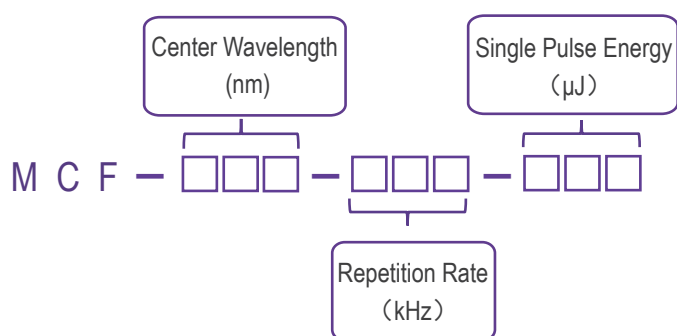




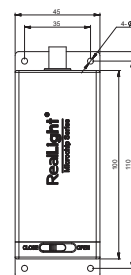
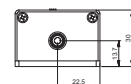
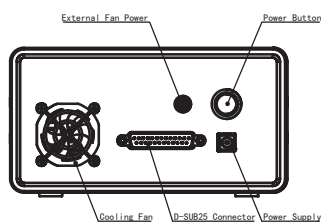
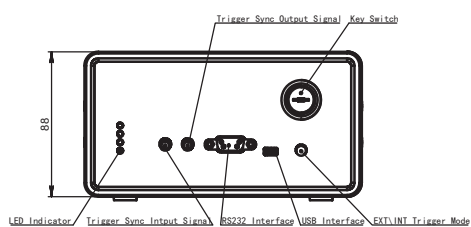
## Order Information

Wavelength (nm)	Part Number	Repetition rate (kHz)	Pulse energy ( $\mu\text{J}$ )
1535	MCF-1535-0.01-100	0.01	100
	MCF-1535-0.01-200	0.01	200
	MCF-1535-0.01-300	0.01	300
	MCF-1535-0.01-500	0.01	500
	MCF-1535-0.005-700	0.005	700
	MCF-1535-0.005-1000	0.005	1000
	MCF-1535-1-040	1	40
	MCF-1535-2.5-020	2.5	20
	MCF-1535-5-010	5	10
MCF-1535-10-005	10	5	

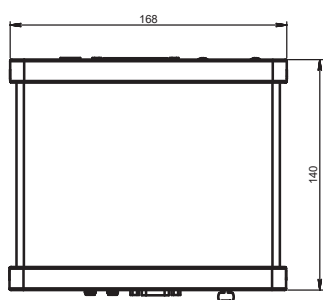
## Part Numbering Schema



## Mechanical Drawings (in mm)



Laser Head



Power Supply

