

NLM Series Dual-wavelength Narrow Linewidth Laser



Key Features

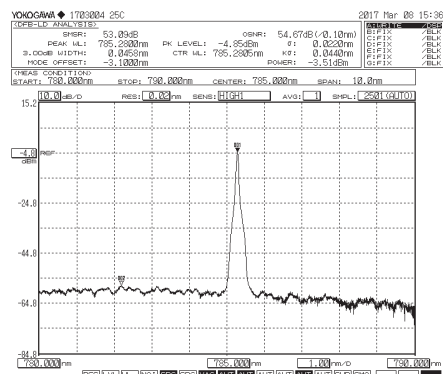
- ◆ Linewidth < 0.1nm for each wavelength
- ◆ Excellent wavelength stability $\pm 5\text{pm}@4\text{h}$
- ◆ Constant frequency interval, support difference algorithm
- ◆ Built-in TEC, power stability $\pm 2\%$
- ◆ Contains PC control, emergency stop button, short circuit protection functions

Applications

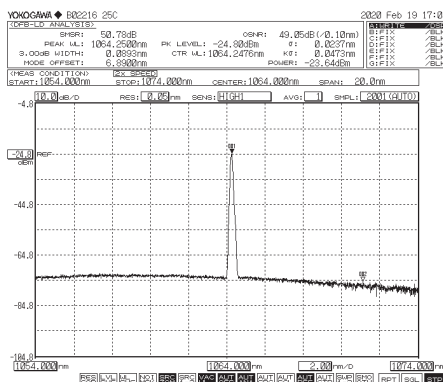
Raman spectroscopy Bio-instrumentation

Technical Specifications

| Optical Parameters | | | | | | |
|--|-----------------------------------|---------|--------------------|----------|---------|----------|
| Center Wavelength (nm) | 532/785 | 532/830 | 784/785 | 785/1064 | 808/976 | 830/1064 |
| Output Power (mW) | 100/500 | 100/600 | 500/500 | 500/800 | 600/800 | 600/800 |
| Wavelength Tolerance (nm) | ± 0.5 (each wavelength) | | | | | |
| Linewidth, each wavelength (nm) | <0.1 | | | <0.3 | <0.1 | |
| Wavelength Stability | $\pm 5 \text{ pm}@4\text{h Typ.}$ | | | | | |
| Power Stability | $\pm 2\% @4\text{h Typ.}$ | | | | | |
| SMSR | - | | 40dB | | | |
| System Parameters | | | | | | |
| Adjustability % Full Power | 0~100% | | | | | |
| Warm up Time (min) | 15 | | | | | |
| Modulation Input | - | | Analog signal 0-5V | | | |
| Control Interface | - | | USB, BNC | | | |
| Connector | SMA905, FC/PC | | | | | |
| Output Fiber | 105 μm , 0.22 NA | | | | | |
| Supply Voltage | +5VDC | | | | | |
| Power Consumption | <20W Typ. | | | | | |
| Storage Humidity | 0~70% RH | | | | | |
| Storage Temperature ($^{\circ}\text{C}$) | -10~60 | | | | | |
| Operating Temperature ($^{\circ}\text{C}$) | 10~35 | | | | | |
| Weight (kg) | 1.2 | | | | | |
| Dimensions (mm) | 168×88×140 | | | | | |



785nm laser spectrum (SMSR>40dB)

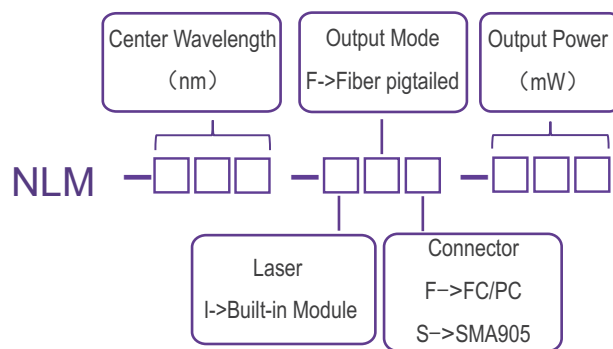


1064nm laser spectrum (SMSR>40dB)

Ordering Information

| Wavelength (nm) | Output Power (mW) | Part Number | Connector |
|-----------------|-------------------|----------------------------|-----------|
| 532/785 | 100/500 | NLM-532/785-IF(S)-100/500 | SMA905 |
| | 100/500 | NLM-532/785-IF(F)-100/500 | FC/PC |
| 532/830 | 100/600 | NLM-532/830-IF(S)-100/600 | SMA905 |
| | 100/600 | NLM-532/830-IF(F)-100/600 | FC/PC |
| 784/785 | 500/500 | NLM-784/785-IF(S)-500/500 | SMA905 |
| | 500/500 | NLM-784/785-IF(F)-500/500 | FC/PC |
| 785/1064 | 500/800 | NLM-785/1064-IF(S)-500/800 | SMA905 |
| | 500/800 | NLM-785/1064-IF(F)-500/800 | FC/PC |
| 808/976 | 600/800 | NLM-808/976-IF(S)-600/800 | SMA905 |
| | 600/800 | NLM-808/976-IF(F)-600/800 | FC/PC |
| 830/1064 | 600/800 | NLM-830/1064-IF(S)-600/800 | SMA905 |
| | 600/800 | NLM-830/1064-IF(F)-600/800 | FC/PC |

Part Numbering Schema



Mechanical Drawings (mm)

