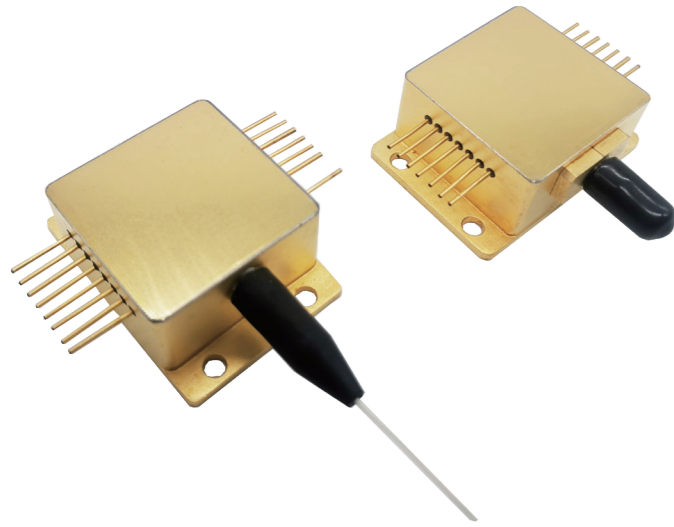
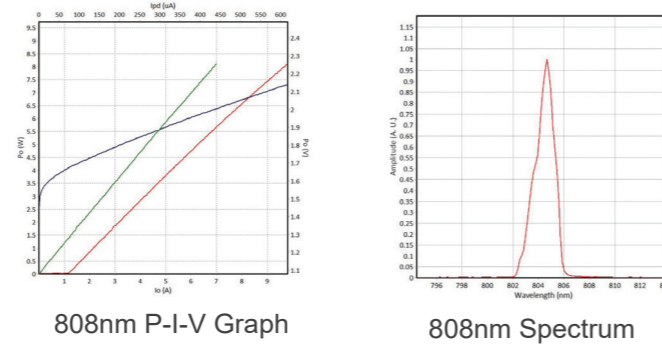


# 14HHL/15HHL Diode Laser Components



## Applications

- Medical use
- Laser Machining
- Scientific research



## Technical Specifications (25°C)

Package Type		14HHL					15HHL						
Center Wavelength (nm)		450	750	808	9XX	1064	450	750	808	9XX	1064		
Optical	CW Output Power / Pop (W)	4	6	9	10	20	10	4	6	9	10	20	10
	Wavelength Tolerance (nm)	±3, ±10											
	Spectral Width / Δλ (nm)	<4											
	Temperature Drift of Wavelength / ΔNΔT (nm/°C)	0.3											
Aiming Beam	Output Power / Pa (mW)	2											
	Wavelength / λa(nm)	650±10											
Electrical	Voltage / Va (V)	2.2, 5.0											
	Threshold Current / Ith (A)	0.4	1.75	1.2	0.55	1	1.1	0.4	1.75	1.2	0.55	1	1.1
	Operating Current / Iop (A)	3.5	8	10	11	23.5	10.5	3.5	8	9.5	11	23.5	10.5
	Operating Voltage / Vop (V)	4.4	2	2	1.8	2	1.7	4.4	2	2	1.8	2	1.7
	Slope Efficiency / ηsp (W/A)	1.1	0.8	0.9	0.9	0.9	0.9	1.1	0.8	0.9	0.9	0.9	0.9
	PD Parameter / Ipd (μA)	<3000					<2000						
	Thermistor / Rt (kΩ/β (25°C))	10±1%/3450											
	TEC Max Current Imax (A)	6											
	TEC Max Voltage Vmax (V)	9.8											
	Fiber	Fiber Core/Cladding Diameter Dcore (μm)	105/125, 200/220										
Fiber Length / L (cm)		100±10 (customizable)											
Numerical Aperture / NA		0.22											
Connector		SMA905					FC/PC, SMA905						

## Other Parameters

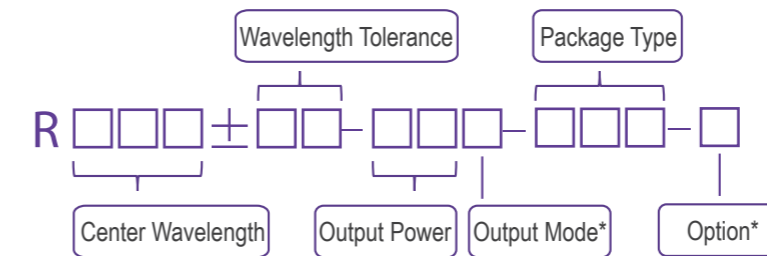
Parameter	Operating Temperature /°C	Operating Relative Humidity /%	Storage Temperature /°C	Storage Relative Humidity /%	Lead Soldering Temperature (max/°C)
Min	10	-	-20	-	-
Max	30	75	70	90	250(10Sec.)

## Order Information

Package	Wavelength (nm)	Output Power (W)	Part Number
14HHL	450	4	R450±10-4WD-14HHL-PTFS
	750	6	R750±10-6WD-14HHL-PTFS
	808	9	R808±10-9WD-14HHL-PTFS
	9xx	10	R9xx±10-10WD-14HHL-PTFS
			R9xx±10-20WD-14HHL-PTFS
1064	10	R1064±10-10WD-14HHL-PTFS	
15HHL	450	4	R450±10-4WF-15HHL-PT
	750	6	R750±10-6WD-15HHL-PT
	808	9	R808±10-9WF-15HHL-PT
	9xx	10	R9xx±10-10WF-15HHL-PT
			R9xx±10-20WF-15HHL-PT
1064	10	R1064±10-10WF-15HHL-PT	

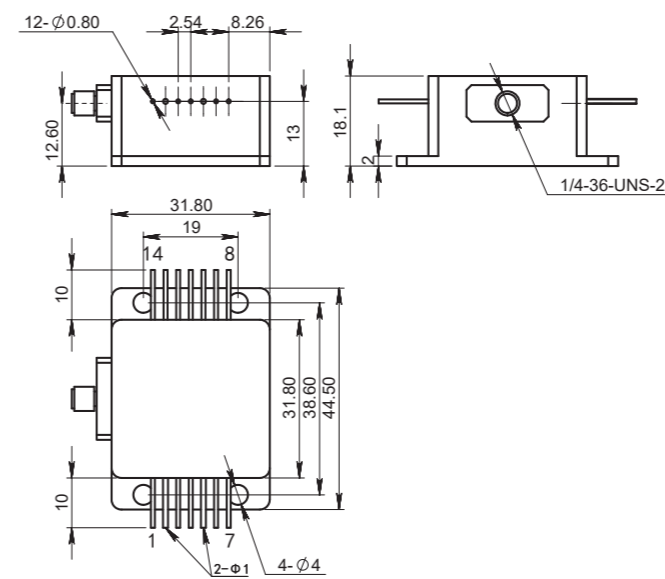


## Part Numbering Schema

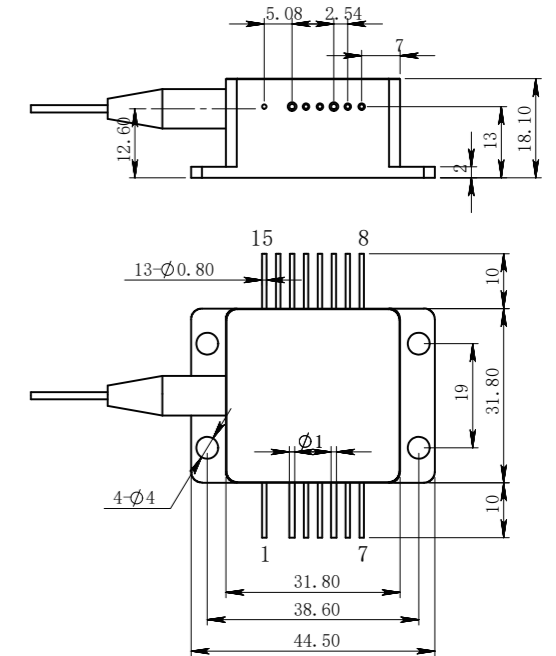


- \*Output Mode: D - Fiber Detachable, F - Fiber Pigtailed
- \*Option: T - TEC, P - Pilot Light, FS - Fiber Detector

## Mechanical Drawings (in mm)



14HHL



15HHL

14HHL			
Pin	Function	Pin	Function
1	Case	8	TEC (-)
2	Laser (+)	9	FCD PD(P)
3	Thermistor	10	FCD LED(N)
4	Thermistor	11	FCD LED(P), FCD PD(N)
5	Laser (-)	12	Aiming Beam LD(+); [DC 5V]
6	PD(P)	13	Aiming Beam LD(-); [GND]
7	PD(N)	14	TEC (+)

15HHL			
Pin	Function	Pin	Function
1	Case	9	-
2	Laser (+)	10	-
3	Thermistor	11	-
4	Thermistor	12	-
5	Laser (-)	13	Aiming Beam LD(+)
6	PD(P)	14	Aiming Beam LD(-)
7	PD(N)	15	TEC (+)
8	TEC (-)		