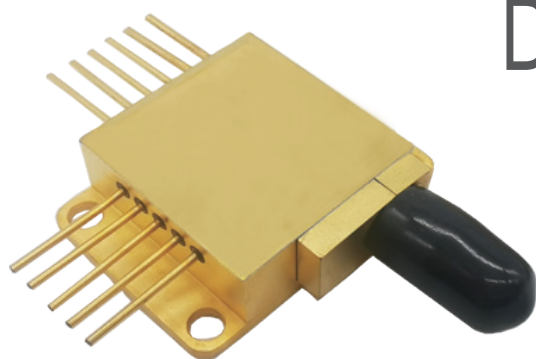


11RTR Diode Laser Components



11RTR diode laser components are RealLight's AW series multi-function laser modules, available in fiber detachable configuration with single emitter. Equipped with aiming beam, fiber detector, photodiode and thermistor, these lasers feature easy maintenance and high power stability.

Key Features

- ◆ Efficient heat dissipation
- ◆ High reliability
- ◆ Superior power stability
- ◆ Excellent beam quality
- ◆ Various wavelengths

Applications

- Aesthetic medicine
- Laser processing
- Scientific research

Technical Specifications (25°C)

Package Type		11RTR			
Center Wavelength (nm)		808	9XX	1064	
Optical	CW Output Power / P _{op} (W)	9	10	20	10
	Wavelength Tolerance (nm)	±3,±10			
	Spectral Width / Δλ (nm)	<4			
	Temperature Drift of Wavelength / Δλ/ΔT (nm/°C)	0.3			
Aiming Beam	Output Power / Pa (mW)	2			
	Wavelength / λa(nm)	650±10			
	Voltage / Va (V)	2.2, 5.0			
Electrical	Threshold Current / I _{th} (A)	1.2	0.55	1	1.1
	Operating Current / I _{op} (A)	10	11	23.5	10.5
	Operating Voltage / V _{op} (V)	2	1.8	2	1.7
	Slope Efficiency / η _{es} (W/A)	0.9	0.9	0.9	0.9
	PD Parameter / I _{pd} (μA)	<3000			
	Thermistor / Rt (kΩ/β (25°C))	10±1%/3450			
Fiber	Fiber Core/Cladding Diameter D _{core} (μm)	105/125, 200/220			
	Fiber Length / L (cm)	100±10 (customizable)			
	Numerical Aperture / NA	0.22			
	Connector	SMA905			

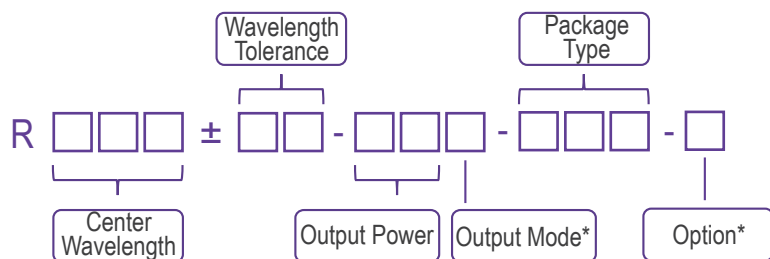
Other Parameters

Parameter	Operating Temperature /°C	Operating Relative Humidity /%	Storage Temperature /°C	Storage Relative Humidity /%	Lead Soldering Temperature (max/°C)
Min	10	-	-20	-	-
Max	30	75	70	90	250(10Sec.)

Order Information

Package	Wavelength (nm)	Output Power (W)	Part Number
11RTR	808	9	R808±10-9WD-11RTR-PFS
	9xx	10	R9xx±10-10WD-11RTR-PFS
		20	R9xx±10-20WD-11RTR-PFS
	1064	10	R1064±10-10WD-11RTR-PFS

Part Numbering Schema

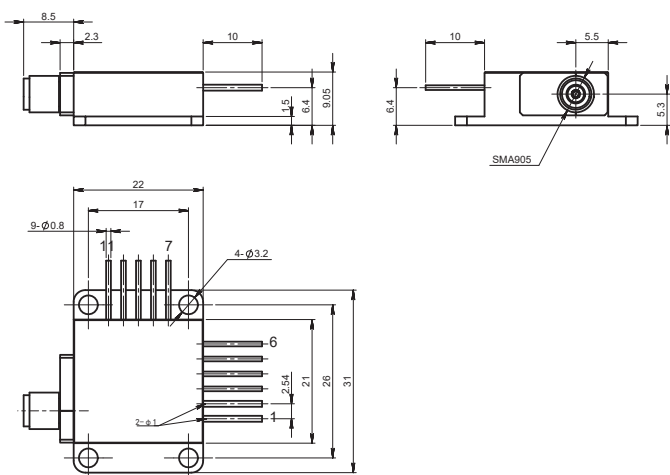


*Output Mode: D - Fiber Detachable

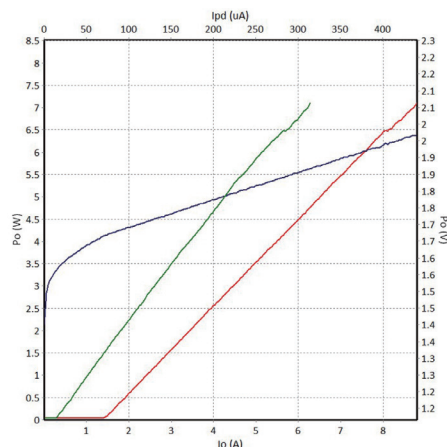
*Option: P - Pilot Light

FS - Fiber Detector

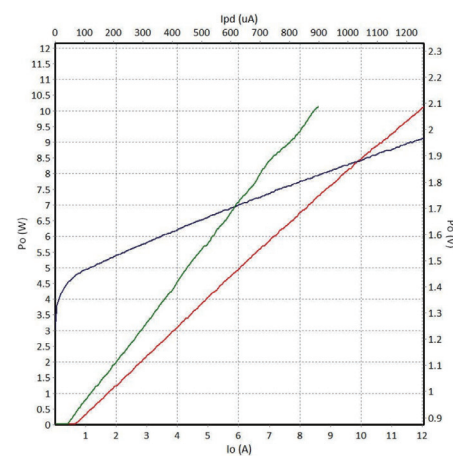
Mechanical Drawings (in mm)



11RTR



808nm P-I-V Graph



980nm P-I-V Graph

11RTR			
Pin	Function	Pin	Function
1	Laser (+)	7	Thermistor
2	Laser (-)	8	Thermistor
3	PD(N)	9	FCD PD(P)
4	PD(P)	10	FCD LED(-)
5	Aiming Beam(-)	11	FCD LED(+)
6	Aiming Beam(+)		FCD PD(N)

